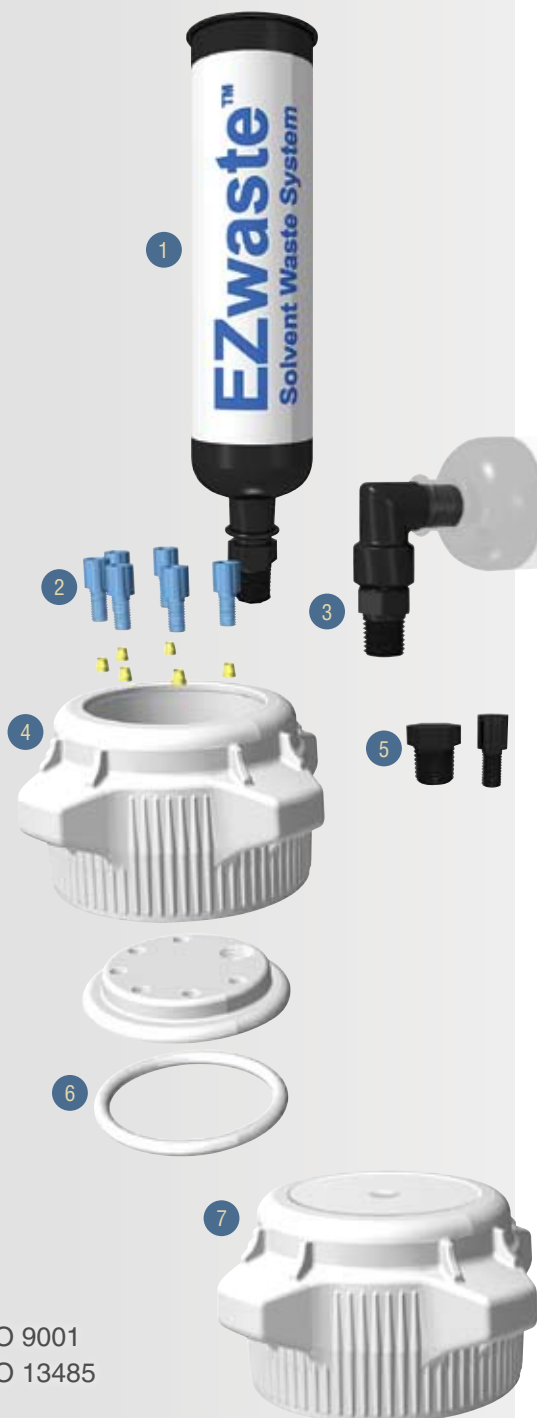




Foxx Life Sciences' **EZwaste™** Solvent Waste System is designed to be an affordable solution for liquid waste disposal. Each system is manufactured to safely collect waste from one or more HPLC systems while the carbon exhaust filters improve air quality by capturing potentially harmful vapors emitted from solvents. Each system includes a 4L, 5L, 10L, or 20L HDPE carboy, two 83B **VersaCap®** (one open top for waste collection and one closed top for safe transport), 6 ports for 3.2mm (1/8") OD waste tubes, 1 port for a carbon exhaust filter, 1 carbon exhaust filter, and plugs for unused ports.



The **EZwaste™** System attaches to the **EZgrip™** Carboy allowing for safe transport to solvent collection room.

- 1 Carbon exhaust filter* traps solvent vapors
- 2 Tube fittings secure waste tubes to carboy providing the closed system necessary to prevent spills
- 3 90° adapter included for maximum storage flexibility
- 4 **VersaCap®** technology eliminates need to remove tubing from open cap to install closed cap
- 5 Plugs included for unused ports
- 6 Replaceable sulfur cured EPDM gasket for high chemical compatibility against aggressive organic solvents
- 7 Closed 83B **VersaCap®** included for safe transport
- 8 High Density Polyethylene **EZgrip™** carboy features advanced ergonomic design and superior chemical compatibility



ISO 9001
ISO 13485

Made in the USA



* Depending on application, carbon exhaust filter life cycle may vary



Item Number	Description	Carboy Size	Closure Size	Waste Ports	Sensor Ports
332-9412-OEM	HPLC Bundle with 4L HDPE HD Bottle	4L	83B	4 Ports for 3.2mm (1/8" OD Tubing	2 Ports for 3.2mm (1/8" OD Tubing
332-2412-OEM	HPLC Bundle with 5L HDPE Carboy (no spigot)	5L	83B	4 Ports for 3.2mm (1/8" OD Tubing	2 Ports for 3.2mm (1/8" OD Tubing
332-3412-OEM	HPLC Bundle with 10L HDPE Carboy (no spigot)	10L	83B	4 Ports for 3.2mm (1/8" OD Tubing	2 Ports for 3.2mm (1/8" OD Tubing
332-4412-OEM	HPLC Bundle with 20L HDPE Carboy (no spigot)	20L	83B	4 Ports for 3.2mm (1/8" OD Tubing	2 Ports for 3.2mm (1/8" OD Tubing
330-0901-OEM	Replacement Exhaust Filter	-	-	-	-
330-0902-OEM	Replacement Fittings	(6) 1/4-28 Nuts and Ferrule for 3.22mm (1/8" OD Tubing (6) 1/4-28 Plugs for Unused Ports (1) 1/4-18 MNPT Plug for Carbon Exhaust Port (1) Straight Adapter for Carbon Exhaust Filter (1) 90° Adapter for Carbon Exhaust Filter			

NEW
 Low Cost
 HPLC Solvent
 Waste System
 offered in
 4L, 5L, 10L, and 20L
 bundles



330-0902-OEM



330-0901-OEM

Distributed by:



01235 750 690

info@biopharmadynamics.com

www.biopharmadynamics.co.uk