



BioPharma
Dynamics

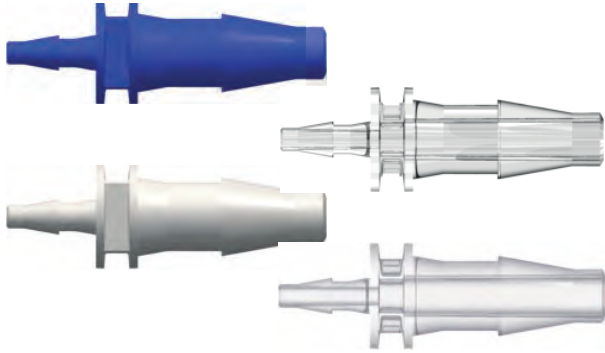
0161 705 4307

info@biopharmadynamics.com

LUERS
T FITTINGS
TUBE CLAMPS
STRAIGHT TUBE
CONNECTORS
ELBOW FITTINGS
X CONNECTORS
REDUCERS
Y CONNECTORS
BAG PORTS **FITTINGS**



TUBE-TO-TUBE FITTINGS



MATERIALS

NYLON
POLYPROPYLENE
POLYCARBONATE
POLYVINYLIDENE FLUORIDE (PVDF)

BARB STYLES

WE OFFER 9 BARB STYLES TO PROVIDE THE WIDEST RANGE OF ASSEMBLY FORCES, PULLOFF RESISTANCE AND BLOWOFF RESISTANCE.



BARB SIZES

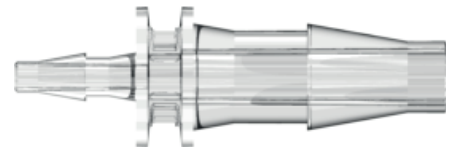
OUR FITTINGS RANGE FROM 1/16" (1.6 MM) TO 1" (25.4 MM) ID.

ALSO
AVAILABLE
AS
REDUCERS

NO PARTING
LINES TO ENSURE
A LEAK-FREE
TUBING UNION

STRAIGHT FITTING

AVAILABLE FROM 1/16" TO 1"



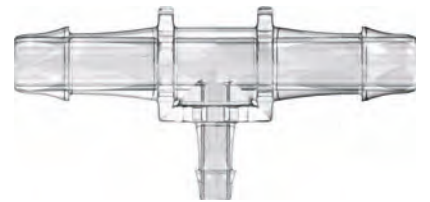
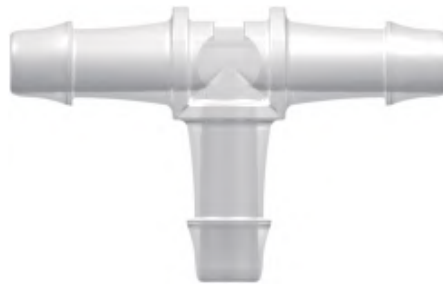
ELBOW FITTING

AVAILABLE FROM 1/16" TO 1"



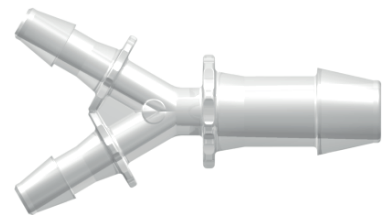
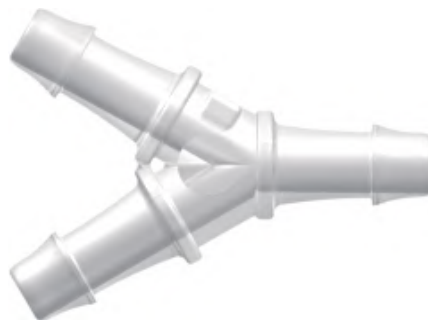
TEE FITTING

AVAILABLE FROM 1/16" TO 1"



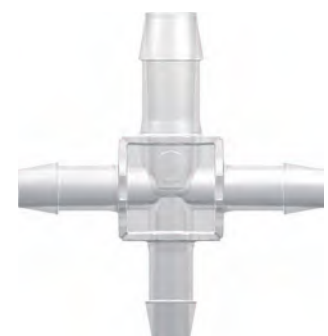
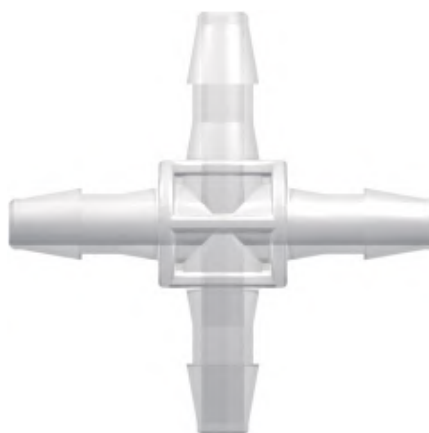
Y FITTING

AVAILABLE FROM 1/16" TO 1"



CROSS FITTING

AVAILABLE FROM 1/16 TO 1/2"



SANITARY FITTINGS

TRICLAMPS (TC)

AVAILABLE FROM 1/4" TO 1"



MINI TRICLAMPS (MINI TC)

AVAILABLE FROM 1/8" TO 1/2"



INSTRUMENT TEE

AVAILABLE AS 1/2" & 1"



END CAP

AVAILABLE AS MINI OR MAXI



RIGID SANITARY FITTINGS



45° ELBOW

AVAILABLE FROM 3/4" TO 3"



90° ELBOW

AVAILABLE FROM 3/4" TO 3"



CONCENTRIC REDUCER

AVAILABLE FROM 3/4" TO 3"



CROSS TEE

AVAILABLE FROM 3/4" TO 3"



ECCENTRIC REDUCER

AVAILABLE FROM 3/4" TO 3"



END CAP

AVAILABLE FROM 3/4" TO 4"

RIGID SANITARY FITTINGS



END CAP WITH FNPT TAP

AVAILABLE FROM 3/4" TO 4"



REDUCING TEE

AVAILABLE FROM 3/4" TO 3"



SHORT BULL TEE

AVAILABLE FROM 3/4" TO 3"



SHORT RADIUS SIB 90° ELBOW

WITH OR WITHOUT TRICLAMP



STANDARD TEE

AVAILABLE FROM 3/4" TO 3"



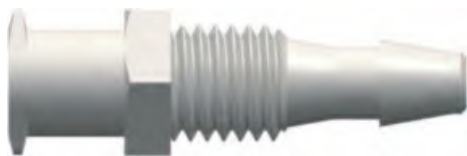
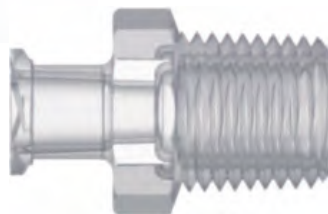
SANITARY FLANGE END

AVAILABLE FROM 3/4" TO 3"

LUER FITTINGS

Luer-slip connectors simply conform to luer taper dimensions and are pressed together and held by friction (they have no threads).

This mechanism is used for applications such as priming and flushing.



Luer-lock connectors (female) are joined by means of a tabbed hub on the female fitting that screws into threads in a sleeve on the male fitting and attaches securely. Male luer lock connectors are available with integral lock rings or with rotatable features to allow you to position the tubing before assembly.

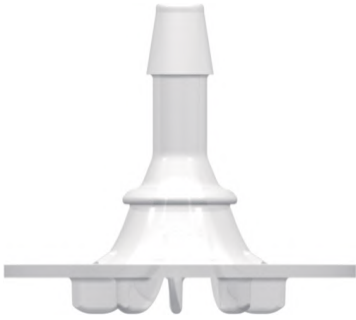
This locking mechanism is used for applications that require a secure connection.



BAG PORTS

Making custom solutions to suit your specific process, we have a large profile of ports for single-use bags. With a variety of options for media transfer including barbs, ferrules and dip tubes.

BAG PORT WITH BARB



- Resistant to alcohol stress-cracking
- Lower leachable levels and high purity
- Parabolic lead reduces drain time by 17% to 24%
- Alignment ribs improve fluid dynamics through port
- USP Class VI and Animal-free materials

AVAILABLE FROM 1/8" TO 1" I.D

BAG PORT WITH FERRULE



- Resins ensure heat sealing with polyethylene bags
- Compliant with ASME BPE ferrule specifications
- Flow rate: 8.37 gpm (3.78 L/min)
- USP Class VI and Animal-free materials

AVAILABLE AS 1-1/2" TO 3" TC CONNECTION

DIP TUBE



- Opposing barb ports ideal for filling applications or sensors.
- Easy to heat-seal into film material
- Works great with silicone & TPE tubing
- Better tube retention
- USP Class VI and Animal-free materials

AVAILABLE IN SIZES FROM 3/16" TO 3/4"

QUICK CONNECTORS

MPC COUPLINGS



- Easy to operate - even with gloved hand
- Parting line-free hose barb
- Reusable, yet economical enough to allow disposability

AVAILABLE AS 1/8", 1/4" AND 3/8"

MPX COUPLINGS



- Larger flow path option
- Polycarbonate (purple tint) & Polysulfone (amber tint)
- Easy to operate - even with gloved hand
- Parting line-free hose barb
- Reusable, yet economical enough to allow disposability

AVAILABLE AS 3/8" AND 1/2"

MPU COUPLINGS



- Twist-to-connect design with locking mechanism
- Facilitates rapid fill/empty of bioprocessing bags
- Polysulfone (amber tint)
- Guards against accidental disconnects
- Shrouded, leak-free seal & smooth flow path

AVAILABLE AS 3/4" HOSE BARB

STERILE CONNECTORS

ASEPTIQUIK S CONNECTORS



- For small-flow applications
- FLIP-CLICK-PULL Design
- Integrated pull tab covers
- CPC Click - Audible confirmation of assembly
- Suitable for Autoclave & Gamma Stable
- Pressure: Up to 60 psi, 4.1 bar
- Temperature: 4°C to 40°C

AVAILABLE AS 1/8", 1/4" & 3/8"

ASEPTIQUIK G CONNECTORS



- Genderless design
- FLIP-CLICK-PULL Design
- Integrated pull tab covers
- CPC Click
- Suitable for Autoclave & Gamma Stable
- Pressure: Up to 60 psi, 4.1 bar (75 psi, 5.1 bar for 48 hours)
- Temperature: 1°C to 40°C

AVAILABLE AS 1/4" TO 3/4"

ASEPTIQUIK L CONNECTORS



- For large-flow applications
- FLIP-CLICK-PULL Design
- Integrated pull tab covers
- CPC Click - Audible confirmation of assembly
- Suitable for Autoclave & Gamma Stable
- Pressure: Up to 60 psi, 4.1 bar
- Temperature: 1°C to 40°C

AVAILABLE AS 3/4", 1" & 1½"

STERILE CONNECTORS

ASEPTIQUIK C CONNECTORS



- Intuitive three-step connection process reduces risk of operator error
- CLICK-PULL-TWIST Design
- Integrated Lock Ring - Secures final connection preventing disassembly
- Suitable for Autoclave & Gamma Stable
- Pressure: Up to 60 psi, 4.1 bar
- Temperature: 4°C to 40°C

AVAILABLE AS 1/2", 3/8" & 3/4"

ASEPTIQUIK X CONNECTORS



- For high flow applications
- TWIST-PULL-TWIST Design
- Integrated Lock Ring
- CPC Click - Audible confirmation of assembly
- Suitable for Autoclave & Gamma Stable
- Pressure: Up to 60 psi, 4.1 bar
- Temperature: 4°C to 40°C

AVAILABLE AS 3/4", 1" & 1-1/2"

STEAM-THRU CONNECTORS



Quick and easy sterile connection between biopharmaceutical processing equipment and single-use bag and tube assemblies.

- Innovative three-port design
- Patented valve design
- Thumb latch/Tear-away sleeve
- ADCF-free materials

AVAILABLE AS 1/8", 1/4" & 3/8"

STERILE DISCONNECTS

HFC39 SERIES



- The easy-to-use thumb latch design provides a secure, leak-free connection and enables one-hand disconnects
- Easy integration with single-use assemblies
- Automatic Shutoff Valves - Eliminate the need for pinch clamps or tube welders
- Pressure: Up to 125 psi, 8.62 bar
- Temperature: -40°C to 138°C

AVAILABLE AS 1/4", 1/2" & 3/8"

ASEPTIQUIK DC CONNECTORS



- First all-in-one to offer both a sterile connection and a sterile disconnection
- CLICK-PULL-TWIST Design
- Automatic Shutoff Valves - Eliminate the need for pinch clamps or tube welders
- Pressure: Up to 60 psi, 4.1 bar
- Temperature: 4°C to 40°C

AVAILABLE AS 1/4", 1/2" & 3/8"



MARKET
LEADER IN
STERILE
CONNECTIONS

BIOPROCESS FITTINGS

TUBE CLAMPS



- Effortlessly and securely close off flow
- For use with silicone and TPE tubing
- Easy, one-handed closure



THIN-WALLED, STANDARD & LARGE FORMATS

SANITARY CLAMPS



- Light and easy to use for quick, convenient assembly release
- Reduced distortion on polymeric components
- Glass reinforced nylon
- Can be autoclaved repeatedly



AVAILABLE IN SIZES FROM 1/2" TO 8"

PUREFIT TRU VALVE



- Precision restriction flow controller and shut-off valve for silicone tubing
- Threaded pitch can be calibrated to 2 mm per turn to minimize flow-path turbulence
- Pressure: Up to 150 psig (10.34 bar)
- Can be autoclaved repeatedly

AVAILABLE IN SIZES FROM 1/4" TO 1"

BIOPROCESS FITTINGS

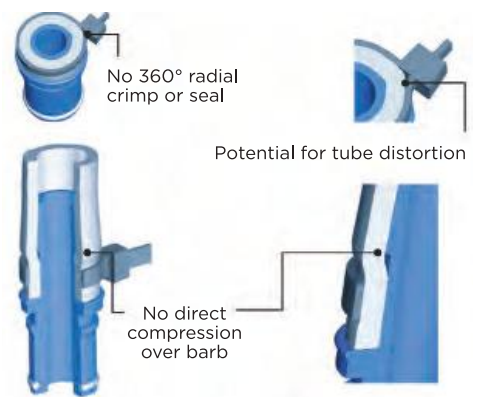
BARBLOCK ULTRA SECURE RETAINERS



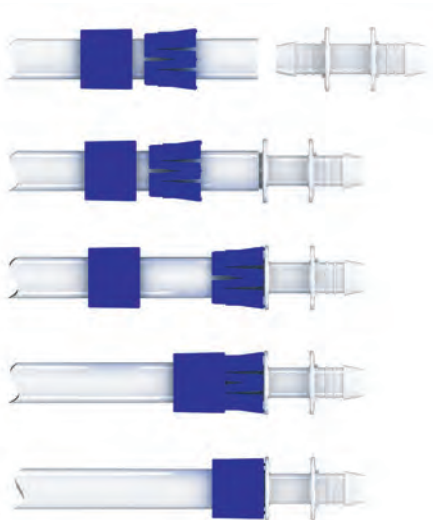
- Alternative to cable ties and traditional clamps
- Compatible with all flexible tube materials
- Produces compression of 360° over the ribbed coupling and full dynamic retention
- No tube distortion
- Fast and easy to assemble



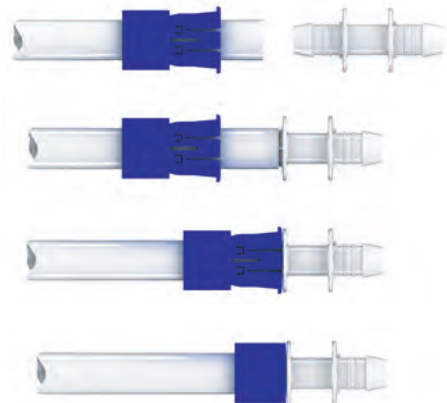
BarbLock
VS.
Cable Tie



Standard BarbLock® retainer is a two-piece unit consisting of a sleeve and collet.



AL series one-piece retainer combines the sleeve and collet into a single unit, eliminating one assembly step while potentially reducing assembly errors.



LEAK FREE ALTERNATIVE TO CABLE TIES

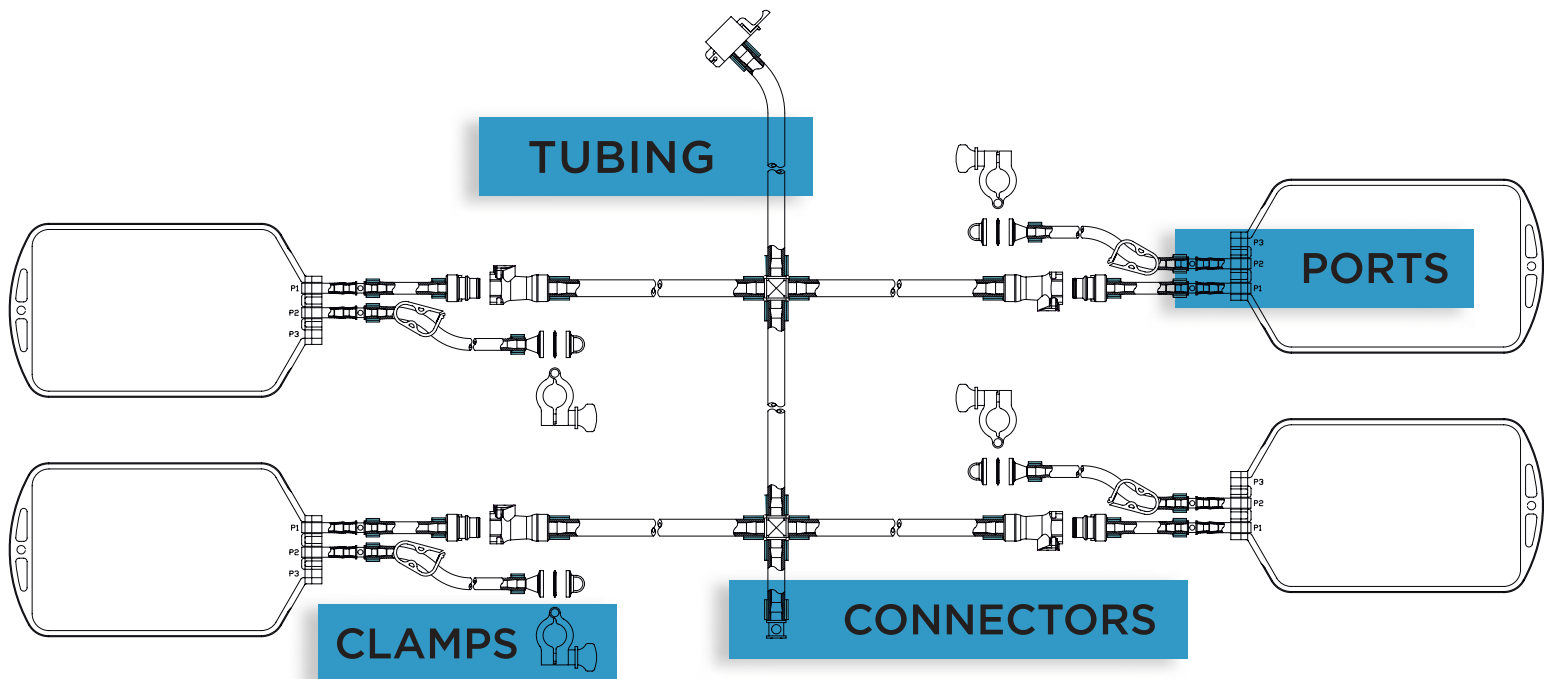
CUSTOM DESIGN

Making custom solutions to suit your specific process, we have a large profile of single-use bags, tubing and media transfer options, which can also be gamma irradiated upon request.



INTRODUCING OUR ON-SITE BUILD FACILITY

Our brand new cleanroom build facility, allows us see a process design from conception though to supply, allowing us to minimise lead times and ensure we provide the best possible service to our customers.



Imagery for illustration only

Sales Office
0161 705 4307
info@biopharmadynamics.com